

Single Trim Nozzles



BETE manufacture single stream trim nozzles with a variety of tips in different materials including ruby and ceramics.

Single Stream tips produce a fine, tight stream that can be used in a great range of distances from the web. They come in regular or high-pressure shells.

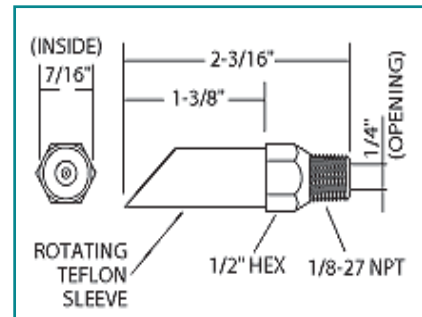
Orifice sizes range from .010" through .80" and threads are 1/8" NPT with thread adapters available (see page 4 for details).

Ruby Tips - Single

Our ruby nozzles have stainless steel bodies and low friction precision rub orifices. They are provided with a rotating Teflon shield or integrated stainless steel shield to protect the stream from moisture or debris buildup.



Size	Part #
.010"	R1045SS
.015"	R1545SS
.020"	R2045SS
.025"	R2545SS
.030"	R3045SS
.035"	R3545SS
.040"	R4045SS
.050"	R5045SS



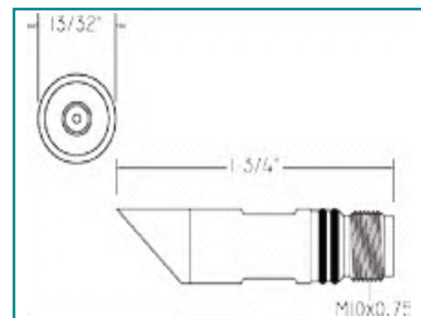
Single Trim

Single Ruby Tip in Stainless Steel with Stainless Steel Drip Shield



Size	Part #
.010"	RS109MSS
.015"	RS159MSS
.020"	RS209MSS
.025"	RS259MSS
.030"	RS309MSS
.035"	RS359MSS
.040"	RS409MSS
.045"	RS459MSS

Note: 1/8 NPT is available on request.
Also

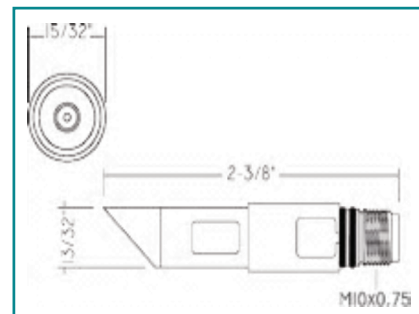


Single Ruby Tip in Adjustable Stainless Steel Shell with Stainless Steel Drip Shield



Size	Part #
.010"	RA109MSS
.015"	RA159MSS
.020"	RA209MSS
.025"	RA259MSS
.030"	RA309MSS
.035"	RA359MSS
.040"	RA409MSS
.045"	RA459MSS

Note: 1/8 NPT is available on request.
Also

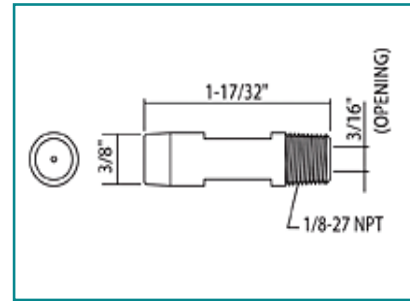


Stainless Steel Tips - Single

Single Stainless Tip in Brass Long Shell



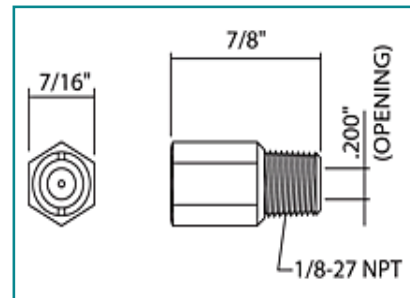
Size	Part #	Size	Part #
.010"	S104	.035"	S354
.012"	S124	.037"	S374
.015"	S154	.040"	S404
.018"	S184	.042"	S424
.020"	S204	.045"	S454
.023"	S234	.050"	S504
.025"	S254	.060"	S604
.028"	S284	.070"	S704
.030"	S304	.080"	S804
.032"	S324		



Single Stainless Tip in Stainless Steel Short Hex High Pressure Shell



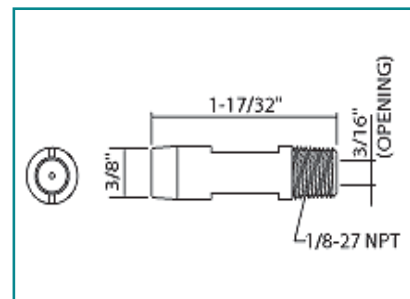
Size	Part #	Size	Part #
.010"	S108SS	.035"	S358SS
.012"	S128SS	.037"	S378SS
.015"	S158SS	.040"	S408SS
.018"	S188SS	.042"	S428SS
.020"	S208SS	.045"	S458SS
.023"	S238SS	.050"	S508SS
.025"	S258SS	.060"	S608SS
.028"	S288SS	.070"	S708SS
.030"	S308SS	.080"	S808SS



Stainless Tip in Stainless Steel High Pressure Shell



Size	Part #	Size	Part #
.010"	S1011SS	.035"	S3511SS
.012"	S1211SS	.037"	S3711SS
.015"	S1511SS	.040"	S4011SS
.018"	S1811SS	.042"	S4211SS
.020"	S2011SS	.045"	S4511SS
.023"	S2311SS	.050"	S5011SS
.025"	S2511SS	.060"	S6011SS
.028"	S2811SS	.070"	S7011SS
.030"	S3011SS	.080"	S8011SS
.032"	S3211SS		

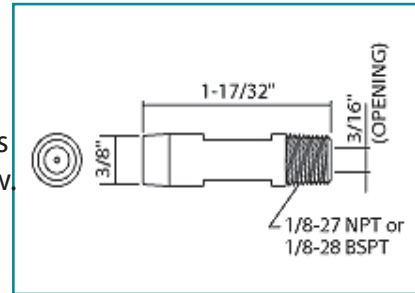


Single Trim - Pyrex Tips

Pyrex Tip in Brass Long



Gatewood's most widely used nozzle comes equipped with a reliable Pyrex tip. This guarantees a smooth, consistent flow. Orifice sizes range from .010 through .080 and threads are 1/8" NPT.



Contact us for special thread

Size #	Part #	Size	Part #	Size	Part #	Size	Part #
.010"	P102	.020"	P202	.030"	P302	.050"	P502
.012"	P122	.023"	P232	.035"	P352	.060"	P602

Single Trim - Ceramic

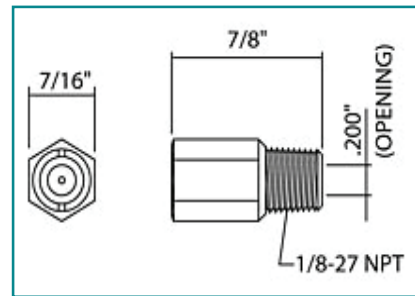


The BETE ceramic tip is a long lasting, precision, high pressure nozzle with an extremely hard ceramic tip. This tough, high quality nozzle was specially designed by BETE at the request of several large paper mills in need of a nozzle to withstand high pressure while maintaining the highest quality stream over long periods of

Ceramic Tip in Stainless Steel Short Hex Shell



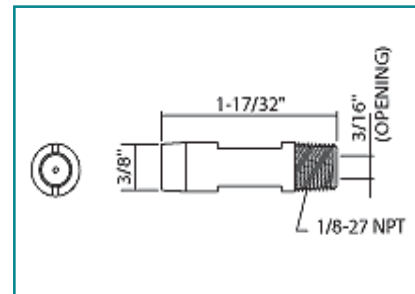
Size	Part #
.010"	C108SSS
.015"	C158SSS
.020"	C208SSS
.025"	C258SSS
.030"	C308SSS
.035"	C358SSS
.040"	C408SSS
.050"	C508SSS



Ceramic Tip in Stainless Steel Long High Pressure Shell



Size	Part #
.010"	C1011SS
.015"	C1511SS
.020"	C2011SS
.025"	C2511SS
.030"	C3011SS
.035"	C3511SS
.040"	C4011SS
.050"	C5011SS



Adapters, Filter Screens & Accessories

We are continuously striving to provide the best technology in our designs. Our research and development is an on-going process. In addition, we provide a wide range of accessories to compliment your nozzles. If your trim nozzle application requires special accessories - contact us.

Thread Adapters



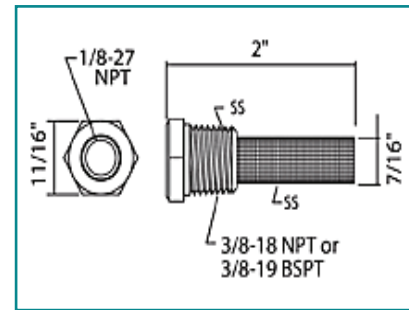
M10FSS 10mm x 0.75 Female to 1/8 NPT Male Stainless Steel
Note: Adapts BETE Double Parallel Stream Ruby Nozzle to 1/8 NPT Male

M10MSS 1/8 NPT Female to 10mm x .75 Male Stainless Steel
Note: Adapts All BETE 1/8 NPT Nozzles to 10mm x 0.75 Female

Filter Screen with Stainless Bushing



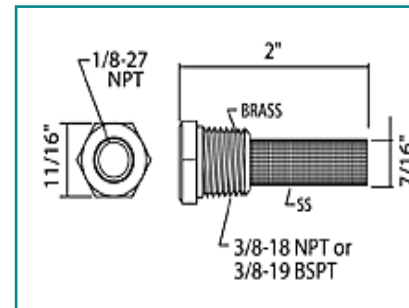
Size	Part #
40 Mesh	SA64
50 Mesh	SA65
60 Mesh	SA66
100 Mesh	
SA6100R	
40 Mesh BSPT	SA74
50 Mesh BSPT	SA75
60 Mesh BSPT	SA76
100 Mesh BSPT	



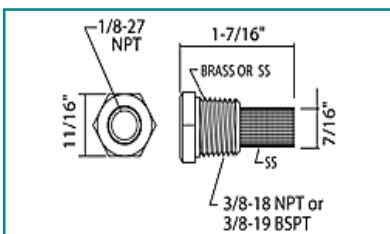
Filter Screen with Brass



Size #	Part
40 Mesh	A64
50 Mesh	A65
60 Mesh	A66
100 Mesh	
A6100R	
40 Mesh BSPT	A74
50 Mesh BSPT	A75
60 Mesh BSPT	A76

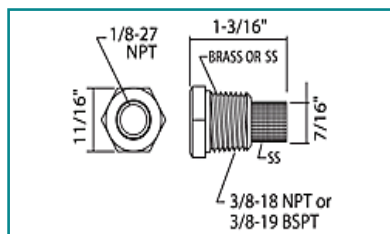


Other Screen



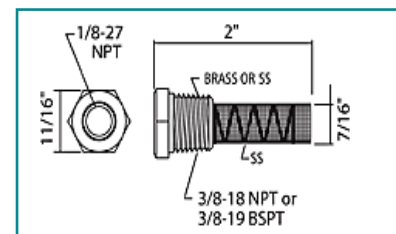
Short Screen

Size Brass
50 Mesh A65SHRT



Extra Short Screen

Size Brass
50 Mesh A65SHS



Extra Short Screen

Size Brass
40 Mesh A64R
50 Mesh A65R
60 Mesh A66R