



THE
SPRAY NOZZLE
PEOPLE

ORBITOR DUAL

Rotary Jet
Dual Head



TANK WASH

DESIGN FEATURES

- ✓ 8 nozzles which can deliver the densest wash pattern available to a full 360° clean
- ✓ Ideal for open tanks (based on 180° wash pattern) up to 30m diameter
- ✓ Safety & quality certified to ATEX (on request) for zones 0 and T6
- ✓ Minimum moving parts for extended operating life, reduced down time & ease of maintenance
- ✓ Easy to maintain. Can be stripped and reassembled in 15 minutes

SPRAY CHARACTERISTICS

- ✓ Flow rates: 85-500 l/min
- ✓ Working Pressure: 5-10 bar
- ✓ Jet length: Up to 20m
- ✓ Wash pattern: 360°
- ✓ Cycle times: 6.8-19 minutes
- ✓ Materials:
 - Housing: 316L
 - Nozzle Head: 316L
 - Gears: PEEK + 316 SS
 - Bushings: Carbon Filled PTFE
- ✓ Weight: 12Kg



The Orbitor Dual is a versatile tank cleaning machine. All 8 nozzles can jet simultaneously to deliver the densest wash pattern available to a full 360° clean.

The unique design excels when configured for open tank washing, suiting open tanks up to 30m diameter. The wash pattern can be set from 180° to 85° down wash, concentrating the jets in the areas requiring cleaning and reducing waste water.

The Orbitor Dual is available in an ATEX certified version on request.

CALL NOW : +44 (0) 1273 400092

www.spray-nozzle.co.uk

The Go-to People for spray nozzle solutions

How it works

The Orbitor Dual is a fluid driven rotary jet cleaner. The cleaning fluid is pumped through the Orbitor and this first passes through a turbine which causes the 8 nozzle arms to spin. The fluid then passes through the nozzles forming a powerful cleaning jet. As the arms rotate the main body also rotates in a set pattern. This is geared so that over a specific period of time (the clean cycle) the cleaning jets are brought to bear on each part of the tank ensuring a thorough, methodical clean.

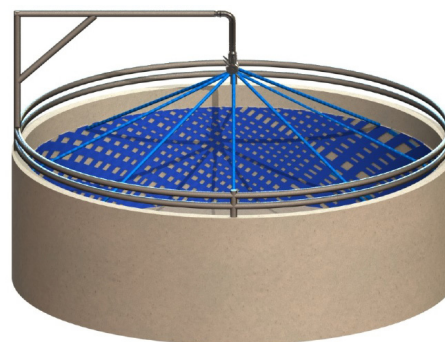
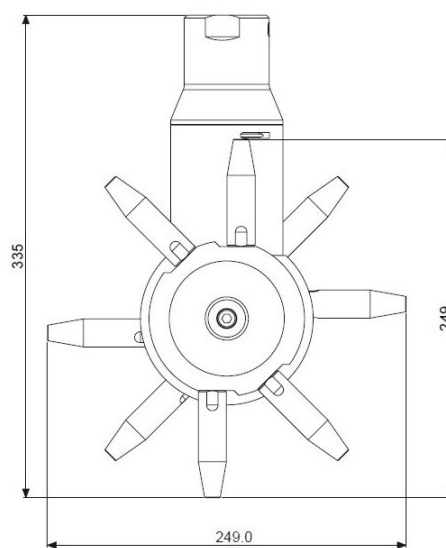
For each configuration of Orbitor there will be a maximum jet length for any given fluid pressure. The max jet length is the overall reach of the resulting spray. The effective cleaning jet length is smaller than this and represents the distance from the machine where a reasonable cleaning action will be achieved. Clearly a more robust clean will be given the further within the effective jet length the target sits.

Made in the UK



The Orbitor Dual is manufactured in the UK exclusively for The Spray Nozzle People by Dasic Marine.

Fixed Machine



180 – 85° Down Application Model

Orbitor Dual flow rates and jet lengths (based on 180° down wash)

Flow rates, Jet Lengths and Cycle Times

Standard Materials: Housing: 316L, Nozzle Head: 316L, Gears: PEEK + 316 SS, Bushings: Carbon Filled PTFE

NOZZLE SIZE

Bar	4mm		5mm		6mm		7mm		8mm		9mm	
	Flow rate l/min	Jet Length (m)	Flow rate l/min	Jet Length (m)	Flow rate l/min	Jet Length (m)	Flow rate l/min	Jet Length (m)	Flow rate l/min	Jet Length (m)	Flow rate l/min	Jet Length (m)
5	110	5.0	130	6.0	153	8.0	180	9.0	187	10.0	193	11.0
6	122	6.0	147	7.0	167	9.0	197	10.0	203	11.0	212	12.0
7	125	7.0	125	8.0	182	10.0	212	11.0	218	12.0	225	13.0
8	130	8.0	163	9.0	197	11.0	225	12.0	232	13.0	242	14.0
9	135	9.0	172	10.0	208	12.0	238	13.0	245	14.0	258	15.0
10	140	9.5	180	10.5	217	12.5	250	13.5	260	14.5	275	15.5