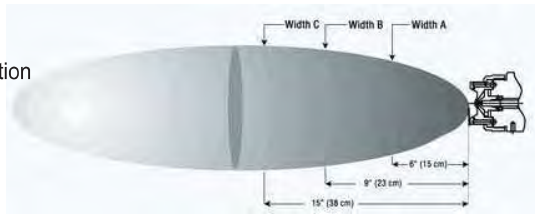


# SAM

## Mélange externe/ Jet plat ou rond

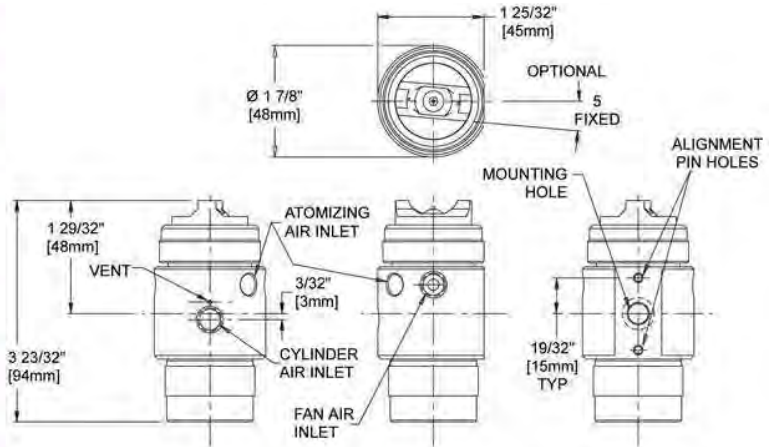
### CARACTERISTIQUES

- Les alimentations d'air séparées pour l'atomisation et pour la pulvérisation permettent un réglage fin de la taille des gouttelettes sans affecter le débit.
- Marche/arrêt et nettoyage pilotés pneumatiquement.
- Mélange externe: permet la pulvérisation de produits visqueux.
- Le débit du liquide pulvérisé est indépendant de celui de l'air
- Maîtrise du volume de produit pulvérisé

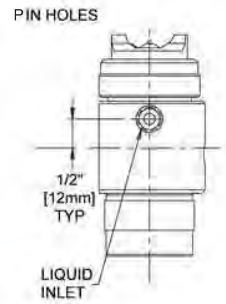


AIR ATOMIZING

| SAM<br>Liquid Flow Rates |                  |                           |                           |         |         |         |       |         |
|--------------------------|------------------|---------------------------|---------------------------|---------|---------|---------|-------|---------|
| Pipe Size                | Spray Set-Up No. | Fluid Cap and Air Cap No. | Liquid Capacity l/h @ bar |         |         |         |       |         |
|                          |                  |                           | 0.2 bar                   | 0.3 bar | 0.5 bar | 0.7 bar | 1 bar | 1.5 bar |
| 1/8                      | SAM-01-02        | FCS 01 & ACS 02           | 2.7                       | 3.3     | 4.3     | 5.1     | 6.2   | 7.6     |
|                          | SAM-02-02        | FCS 02 & ACS 02           | 4.5                       | 5.5     | 7.2     | 8.5     | 10.2  | 12.5    |
|                          | SAM-03-02        | FCS 03 & ACT 02           | 8.8                       | 10.8    | 14.0    | 16.6    | 19.9  | 24      |
|                          | SAM-04-03        | FCS 04 & ACS 03           | 13.5                      | 16.5    | 21      | 25      | 30    | 37      |
|                          | SAM-05-03        | FCS 05 & ACS 03           | 17.2                      | 21      | 27      | 32      | 38    | 46      |
|                          | SAM-06-04        | FCS 06 & ACS 04           | 37                        | 46      | 60      | 72      | 86    | 107     |
|                          | SAM-07-05        | FCS 07 & ACS 05           | 59                        | 74      | 97      | 116     | 140   | 174     |



| SAM<br>Air Flow Rates |                  |                           |   |       |         |       |         |       |       |       |       |
|-----------------------|------------------|---------------------------|---|-------|---------|-------|---------|-------|-------|-------|-------|
| Pipe Size             | Spray Set-Up No. | Fluid Cap and Air Cap No. | Atomizing Air Capacity Nm <sup>3</sup> /h @ bar |       |         |       |         |       |       |       |       |
|                       |                  |                           | 0.7 bar   | 1 bar | 1.5 bar | 2 bar | 2.5 bar | 3 bar | 4 bar | 5 bar | 6 bar |
| 1/8                   | SAM-01-02        | FCS 01 & ACS 02           | 0.8   | 1.0   | 1.3     | 1.6   | 1.9     | 2.2   | 2.8   | 3.3   | 3.9   |
|                       | SAM-02-02        | FCS 02 & ACS 02           |   |       |         |       |         |       |       |       |       |
|                       | SAM-03-02        | FCS 03 & ACS 02           |   |       |         |       |         |       |       |       |       |
|                       | SAM-04-03        | FCS 04 & ACS 03           | 2.8   | 3.3   | 4.1     | 5.0   | 5.8     | 6.7   | 8.3   | 10.0  | 11.7  |
|                       | SAM-05-03        | FCS 05 & ACS 03           |   |       |         |       |         |       |       |       |       |
|                       | SAM-06-04        | FCS 06 & ACS 04           | 3.5   | 4.1   | 5.1     | 6.2   | 7.2     | 8.2   | 10.2  | 12.3  | 14.3  |
|                       | SAM-07-05        | FCS 07 & ACS 05           | 4.5   | 5.3   | 6.7     | 8.0   | 9.3     | 10.6  | 13.3  | 15.9  | 18.5  |



| Pipe Size | Spray Set-Up No. | Fluid Cap and Air Cap No. | Fan Air Capacity Nm <sup>3</sup> /h @ bar |       |         |       |         |       |       |       |       |
|-----------|------------------|---------------------------|---|-------|---------|-------|---------|-------|-------|-------|-------|
|           |                  |                           | 0.7 bar                                   | 1 bar | 1.5 bar | 2 bar | 2.5 bar | 3 bar | 4 bar | 5 bar | 6 bar |
| 1/8       | SAM-01-02        | FCS 01 & ACS 02           | 2.7                                       | 3.2   | 4.1     | 4.9   | 5.8     | 6.6   | 8.3   | 10.0  | 11.8  |
|           | SAM-02-02        | FCS 02 & ACS 02           |   |       |         |       |         |       |       |       |       |
|           | SAM-03-02        | FCS 03 & ACS 02           |   |       |         |       |         |       |       |       |       |
|           | SAM-04-03        | FCS 04 & ACS 03           | 5.0                                       | 6.1   | 7.8     | 9.6   | 11.3    | 13.1  | 16.6  | 20    | 24    |
|           | SAM-05-03        | FCS 05 & ACS 03           |   |       |         |       |         |       |       |       |       |
|           | SAM-06-04        | FCS 06 & ACS 04           | 5.7                                       | 6.9   | 9.0     | 11.2  | 13.3    | 15.4  | 19.6  | 24    | 28    |
|           | SAM-07-05        | FCS 07 & ACS 05           | 5.9                                       | 7.2   | 9.3     | 11.4  | 13.6    | 15.7  | 20.0  | 24    | 29    |

Standard Materials: 303 Stainless Steel, Blue-gard® gasket, Viton® o-rings

**Note:** Les ensembles de pulvérisation sont composés d'une buse d'air et d'une buse liquide. Elles sont interchangeable, mais utilisent chacune une aiguille spécifique

En cas de remplacement des buses d'air, les joints doivent être également remplacés.

L'angle du jet pulvérisé varie en fonction de la pression - Contactez BETE pour les applications spécifiques

[www.BETE.co.uk](http://www.BETE.co.uk)

TO ORDER: specify pipe size, spray set-up #, hardware and material.

Les dimensions sont approximatives - Contactez BETE pour vos applications spécifiques

**SAM- Couverture de la pulvérisation**  
Pulvérisation variable, Pression, Jet plat ou rond

| Raccord   | Ref Buses       | Buses Air et Liquide | Les caractéristiques de la pulvérisation varient en fonction de la pression |             |        |        |        |         |        |        |         |        |        |        |        |        |     |     |     |
|-----------|-----------------|----------------------|---|-------------|--------|--------|--------|---------|--------|--------|---------|--------|--------|--------|--------|--------|-----|-----|-----|
|           |                 |                      | bar air   | bar liquide | 0* bar |        |        | 0.7 bar |        |        | 2.5 bar |        |        | 4 bar  |        |        |     |     |     |
|           |                 |                      |   |             | A (mm) | B (mm) | C (mm) | A (mm)  | B (mm) | C (mm) | A (mm)  | B (mm) | C (mm) | A (mm) | B (mm) | C (mm) |     |     |     |
| 1/8       | SAM-01-02       | FCS 01 & ACS 02      | 0.7   | 0.2         | 50     | 80     | 100    | 180     | 230    | 250    | 150     | 200    | 280    | 150    | 200    | 280    |     |     |     |
|           |                 |                      |   | 0.7         | 60     | 90     | 110    | 180     | 250    | 300    | 180     | 200    | 280    | 180    | 200    | 300    |     |     |     |
|           |                 |                      |   | 1.5         | 50     | 80     | 100    | 200     | 300    | 360    | 230     | 280    | 360    | 200    | 250    | 330    |     |     |     |
|           |                 |                      | 2   | 0.2         | 50     | 80     | 110    | 130     | 150    | 180    | 200     | 250    | 330    | 200    | 250    | 360    | 200 | 280 | 360 |
|           |                 |                      |   | 0.7         | 50     | 60     | 130    | 150     | 180    | 250    | 200     | 250    | 330    | 200    | 250    | 300    | 200 | 250 | 300 |
|           |                 |                      |   | 1.5         | 50     | 80     | 100    | 180     | 230    | 330    | 250     | 300    | 380    | 240    | 290    | 370    | 240 | 290 | 370 |
|           |                 | 2.5                  | 0.2   | 60          | 90     | 150    | 130    | 150     | 200    | 200    | 250     | 360    | 230    | 280    | 360    | 230    | 280 | 360 |     |
|           |                 |                      | 0.7   | 50          | 80     | 130    | 150    | 180     | 250    | 230    | 280     | 360    | 230    | 280    | 360    | 230    | 280 | 330 |     |
|           |                 |                      | 1.5   | 50          | 80     | 110    | 180    | 200     | 300    | 250    | 300     | 360    | 250    | 300    | 360    | 250    | 300 | 380 |     |
|           |                 | 4                    | 0.2   | 60          | 90     | 150    | 100    | 130     | 150    | 200    | 280     | 330    | 200    | 280    | 330    | 230    | 280 | 360 |     |
|           |                 |                      | 0.7   | 50          | 80     | 130    | 110    | 130     | 180    | 200    | 250     | 360    | 200    | 250    | 360    | 230    | 300 | 380 |     |
|           |                 |                      | 1.5   | 50          | 80     | 110    | 130    | 180     | 230    | 230    | 300     | 410    | 250    | 300    | 410    | 250    | 330 | 430 |     |
|           | 1.5             |                      | 50  | 80          | 110    | 130    | 180    | 230     | 230    | 300    | 410     | 250    | 300    | 410    | 250    | 330    | 430 |     |     |
|           | SAM-02-02       | FCS 02 & ACS 02      | 0.7   | 0.2         | 50     | 80     | 100    | 200     | 250    | 300    | 160     | 220    | 280    | 150    | 230    | 300    |     |     |     |
|           |                 |                      |   | 0.7         | 60     | 90     | 110    | 200     | 300    | 380    | 230     | 360    | 460    | 180    | 250    | 330    |     |     |     |
|           |                 |                      |   | 1.5         | 50     | 80     | 100    | 200     | 300    | 380    | 230     | 360    | 460    | 200    | 250    | 330    |     |     |     |
|           |                 |                      | 2   | 0.2         | 50     | 80     | 110    | 140     | 180    | 200    | 200     | 250    | 360    | 200    | 280    | 360    | 230 | 250 | 330 |
|           |                 |                      |   | 0.7         | 50     | 80     | 130    | 180     | 230    | 300    | 250     | 300    | 410    | 230    | 250    | 330    | 240 | 290 | 370 |
|           |                 |                      |   | 1.5         | 50     | 80     | 100    | 180     | 250    | 300    | 330     | 410    | 460    | 240    | 290    | 370    | 240 | 290 | 370 |
|           |                 | 2.5                  | 0.2   | 60          | 90     | 150    | 130    | 180     | 230    | 200    | 250     | 360    | 230    | 280    | 360    | 230    | 280 | 360 |     |
|           |                 |                      | 0.7   | 50          | 80     | 130    | 180    | 200     | 160    | 240    | 300     | 360    | 230    | 300    | 380    | 230    | 300 | 380 |     |
|           |                 |                      | 1.5   | 50          | 80     | 110    | 160    | 230     | 320    | 290    | 380     | 430    | 280    | 360    | 460    | 280    | 360 | 460 |     |
|           |                 | 4                    | 0.2   | 60          | 90     | 150    | 110    | 140     | 180    | 200    | 270     | 330    | 230    | 280    | 330    | 230    | 280 | 360 |     |
|           |                 |                      | 0.7   | 60          | 100    | 140    | 130    | 150     | 220    | 230    | 280     | 360    | 250    | 300    | 380    | 250    | 300 | 380 |     |
|           |                 |                      | 1.5   | 50          | 80     | 110    | 140    | 190     | 240    | 250    | 360     | 460    | 280    | 360    | 460    | 280    | 360 | 460 |     |
|           | 1.5             |                      | 50  | 80          | 110    | 140    | 190    | 240     | 250    | 360    | 460     | 280    | 360    | 460    | 280    | 360    | 460 |     |     |
|           | SAM-03-02       | FCS 03 & ACS 02      | 0.7   | 0.2         | 50     | 80     | 130    | 230     | 300    | 380    | 180     | 230    | 280    | 180    | 230    | 300    |     |     |     |
|           |                 |                      |   | 0.7         | 50     | 60     | 100    | 300     | 380    | 530    | 300     | 330    | 580    | 200    | 250    | 330    |     |     |     |
| 1.5       |                 |                      |   | 50          | 60     | 100    | 250    | 300     | 410    | 300    | 330     | 410    | 200    | 250    | 330    |        |     |     |     |
| 2         |                 |                      | 0.2   | 60          | 80     | 110    | 150    | 200     | 230    | 200    | 250     | 330    | 200    | 250    | 330    | 200    | 250 | 330 |     |
|           |                 |                      | 0.7   | 50          | 80     | 130    | 200    | 280     | 380    | 280    | 330     | 330    | 250    | 300    | 330    | 250    | 280 | 330 |     |
|           |                 |                      | 1.5   | 50          | 60     | 100    | 200    | 300     | 360    | 410    | 510     | 560    | 250    | 280    | 330    | 250    | 280 | 330 |     |
| 2.5       |                 | 0.2                  | 60  | 90          | 130    | 130    | 180    | 250     | 200    | 250    | 330     | 200    | 280    | 330    | 200    | 280    | 330 |     |     |
|           |                 | 0.7                  | 50  | 80          | 130    | 180    | 200    | 280     | 280    | 330    | 380     | 250    | 300    | 330    | 250    | 300    | 330 |     |     |
|           |                 | 1.5                  | 50  | 80          | 130    | 180    | 230    | 370     | 330    | 460    | 530     | 300    | 430    | 530    | 300    | 430    | 530 |     |     |
| 4         |                 | 0.2                  | 60  | 90          | 140    | 130    | 150    | 200     | 200    | 250    | 330     | 200    | 250    | 330    | 200    | 250    | 330 |     |     |
|           |                 | 0.7                  | 60  | 90          | 140    | 150    | 180    | 240     | 250    | 330    | 410     | 280    | 330    | 410    | 280    | 330    | 380 |     |     |
|           |                 | 1.5                  | 50  | 80          | 110    | 150    | 200    | 250     | 300    | 460    | 560     | 330    | 460    | 560    | 330    | 460    | 530 |     |     |
|           | 1.5             | 50                   | 80  | 110         | 150    | 200    | 250    | 300     | 460    | 560    | 330     | 460    | 560    | 330    | 460    | 530    |     |     |     |
| SAM-04-03 | FCS 04 & ACS 03 | 0.7                  | 0.2   | 60          | 90     | 130    | 230    | 330     | 480    |        |         |        |        |        |        |        |     |     |     |
|           |                 |                      | 0.7   | 60          | 80     | 110    | 150    | 360     | 410    |        |         |        |        |        |        |        |     |     |     |
|           |                 |                      | 1.5   | 50          | 80     | 110    | 230    | 330     | 480    | 460    | 610     | 740    |        |        |        |        |     |     |     |
|           |                 | 2                    | 0.2   | 60          | 80     | 130    | 100    | 130     | 180    | 280    | 380     | 460    | 300    | 380    | 460    | 300    | 380 | 460 |     |
|           |                 |                      | 0.7   | 60          | 90     | 130    | 130    | 180     | 230    | 330    | 430     | 560    | 200    | 530    | 660    | 200    | 530 | 660 |     |
|           |                 |                      | 1.5   | 60          | 90     | 140    | 130    | 150     | 230    | 330    | 510     | 610    | 180    | 560    | 690    | 180    | 560 | 690 |     |
|           | 2.5             | 0.2                  | 60  | 80          | 130    | 90     | 110    | 160     | 230    | 300    | 360     | 280    | 330    | 460    | 280    | 330    | 460 |     |     |
|           |                 | 0.7                  | 60  | 90          | 130    | 100    | 130    | 180     | 250    | 360    | 460     | 130    | 460    | 560    | 130    | 460    | 560 |     |     |
|           |                 | 1.5                  | 60  | 90          | 130    | 100    | 140    | 200     | 280    | 380    | 530     | 150    | 510    | 630    | 150    | 510    | 630 |     |     |
|           | 4               | 0.2                  | 60  | 90          | 130    | 80     | 100    | 150     | 200    | 250    | 330     | 250    | 300    | 430    | 250    | 300    | 430 |     |     |
|           |                 | 0.7                  | 60  | 90          | 110    | 80     | 100    | 150     | 200    | 280    | 360     | 280    | 380    | 460    | 280    | 380    | 460 |     |     |
|           |                 | 1.5                  | 60  | 90          | 110    | 80     | 110    | 180     | 250    | 300    | 410     | 300    | 430    | 530    | 300    | 430    | 560 |     |     |
| 1.5       |                 | 60                   | 90  | 110         | 80     | 110    | 180    | 250     | 300    | 410    | 300     | 430    | 530    | 300    | 430    | 560    |     |     |     |
| SAM-05-03 | FCS 05 & ACS 03 | 0.7                  | 0.2   | 80          | 100    | 150    | 230    | 300     | 460    |        |         |        |        |        |        |        |     |     |     |
|           |                 |                      | 0.7   |             |        |        | 200    | 280     | 380    | 610    | 740     | 890    |        |        |        |        |     |     |     |
|           |                 |                      | 1.5   |             |        |        | 230    | 300     | 380    | 530    | 710     |        |        |        |        |        |     |     |     |
|           |                 | 2                    | 0.2   | 60          | 90     | 150    | 100    | 150     | 200    | 300    | 380     | 480    | 300    | 380    | 480    | 300    | 380 | 480 |     |
|           |                 |                      | 0.7   | 60          | 90     | 130    | 110    | 150     | 200    | 360    | 460     | 580    | 430    | 560    | 630    | 430    | 560 | 630 |     |
|           |                 |                      | 1.5   | 50          | 80     | 130    | 110    | 150     | 230    | 380    | 480     | 690    | 460    | 580    | 690    | 460    | 580 | 690 |     |
|           | 2.5             | 0.2                  | 60  | 90          | 150    | 90     | 130    | 180     | 250    | 330    | 430     | 300    | 360    | 460    | 300    | 360    | 460 |     |     |
|           |                 | 0.7                  | 60  | 90          | 140    | 100    | 150    | 200     | 300    | 410    | 510     | 380    | 460    | 560    | 380    | 460    | 560 |     |     |
|           |                 | 1.5                  | 60  | 90          | 140    | 90     | 130    | 230     | 330    | 430    | 560     | 410    | 510    | 610    | 410    | 510    | 610 |     |     |
|           | 4               | 0.2                  | 60  | 90          | 150    | 60     | 100    | 180     | 230    | 280    | 360     | 250    | 300    | 430    | 250    | 300    | 430 |     |     |
|           |                 | 0.7                  | 60  | 90          | 140    | 80     | 100    | 150     | 250    | 330    | 410     | 330    | 410    | 510    | 330    | 410    | 510 |     |     |
|           |                 | 1.5                  | 60  | 90          | 140    | 80     | 100    | 150     | 230    | 330    | 430     | 300    | 430    | 530    | 300    | 430    | 580 |     |     |
| 1.5       |                 | 60                   | 90  | 140         | 80     | 100    | 150    | 230     | 330    | 430    | 300     | 430    | 530    | 300    | 430    | 580    |     |     |     |
| SAM-06-04 | FCS 06 & ACS 04 | 0.7                  | 0.2   | 80          | 100    | 130    | 180    | 250     | 330    | 530    | 660     | 840    |        |        |        |        |     |     |     |
|           |                 |                      | 0.7   |             |        |        | 430    | 560     | 760    | 430    | 560     | 760    | 560    | 690    | 860    |        |     |     |     |
|           |                 |                      | 1.5   |             |        |        | 280    | 410     | 530    | 280    | 410     | 530    | 460    | 610    | 760    |        |     |     |     |
|           |                 | 2                    | 0.2   | 80          | 100    | 130    | 100    | 150     | 200    | 300    | 360     | 530    | 380    | 480    | 560    | 380    | 480 | 560 |     |
|           |                 |                      | 0.7   | 60          | 90     | 130    | 100    | 150     | 220    | 330    | 410     | 560    | 410    | 530    | 610    | 410    | 530 | 610 |     |
|           |                 |                      | 1.5   | 60          | 90     | 130    | 100    | 150     | 230    | 330    | 410     | 560    | 460    | 560    | 660    | 460    | 560 | 660 |     |
|           | 2.5             | 0.2                  | 80  | 100         | 140    | 40     | 130    | 180     | 250    | 300    | 430     | 300    | 430    | 530    | 300    | 430    | 530 |     |     |
|           |                 | 0.7                  | 60  | 90          | 130    | 100    | 130    | 180     | 280    | 360    | 510     | 360    | 460    | 510    | 360    | 460    | 640 |     |     |
|           |                 | 1.5                  | 60  | 90          | 130    | 80     | 130    | 200     | 230    | 330    | 430     | 330    | 430    | 530    | 330    | 460    | 660 |     |     |
|           | 4               | 0.2                  | 80  | 100         | 150    | 80     | 100    | 150     | 200    | 250    | 330     | 250    | 300    | 410    | 250    | 300    | 460 |     |     |
|           |                 | 0.7                  | 80  | 100         | 130    | 90     | 110    | 180     | 230    | 300    | 410     | 300    | 410    | 530    | 300    | 410    | 530 |     |     |
|           |                 | 1.5                  | 80  | 90          | 130    | 80     | 100    | 140     | 200    | 250    | 380     | 300    | 410    | 530    | 300    | 410    | 530 |     |     |
| 1.5       |                 | 80                   | 90  | 130         | 80     | 100    | 140    | 200     | 250    | 380    | 300     | 410    | 530    | 300    | 410    | 530    |     |     |     |
| SAM-07-05 | FCS 07 & ACS 05 | 0.7                  | 0.2   | 80          | 100    | 130    | 200    | 280     | 380    | 530    | 690     | 890    |        |        |        |        |     |     |     |
|           |                 |                      | 0.7   |             |        |        | 480    | 610     | 840    | 480    | 610     | 840    |        |        |        |        |     |     |     |
|           |                 |                      | 1.5   |             |        |        | 330    | 460     | 580    | 330    | 460     | 580    | 430    | 560    | 690    | 430    | 560 | 690 |     |
|           |                 | 2                    | 0.2   | 80          | 100    | 140    | 140    | 150     | 230    | 280    | 380     | 480    | 430    | 560    | 610    | 430    | 560 | 690 |     |
|           |                 |                      | 0.7   | 80          | 90     | 130    | 110    | 180     | 190    | 300    | 380     | 510    | 410    | 510    | 610    | 410    | 510 | 740 |     |
|           |                 |                      | 1.5   | 80          | 90     | 130    | 110    | 180     | 190    | 300    | 360     | 530    | 360    | 480    | 690    | 360    | 480 | 690 |     |
|           | 2.5             | 0.2                  | 80  | 100         | 150    | 100    | 150    | 200     | 230    | 300    | 410     | 360    | 430    | 530    | 360    | 430    | 530 |     |     |
|           |                 | 0.7                  | 80  | 100         | 160    | 130    | 160    | 190     | 250    | 330    | 430     | 330    | 430    | 560    | 330    | 430    | 580 |     |     |
|           |                 | 1.5                  | 60  | 80          | 130    | 90     | 110    | 150     | 180    | 250    | 360     | 310    | 410    | 530    | 310    | 410    | 610 |     |     |
|           | 4               | 0.2                  | 80  | 100         | 150    | 100    | 150    | 200     | 230    | 300    | 410     | 360    | 430    | 530    | 360    | 430    | 530 |     |     |
|           |                 | 0.7                  | 80  | 100         | 160    | 130    | 160    | 190     | 250    | 330    | 430     | 330    | 430    | 560    | 330    | 430    | 580 |     |     |
|           |                 | 1.5                  | 60  | 80          | 130    | 90     | 110    | 150     | 1      |        |         |        |        |        |        |        |     |     |     |