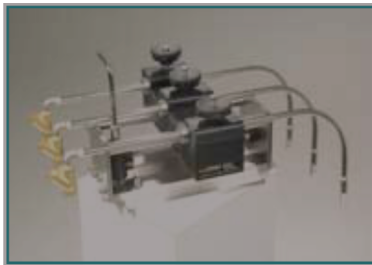


ATS and ATSP Edge Trimming Machines

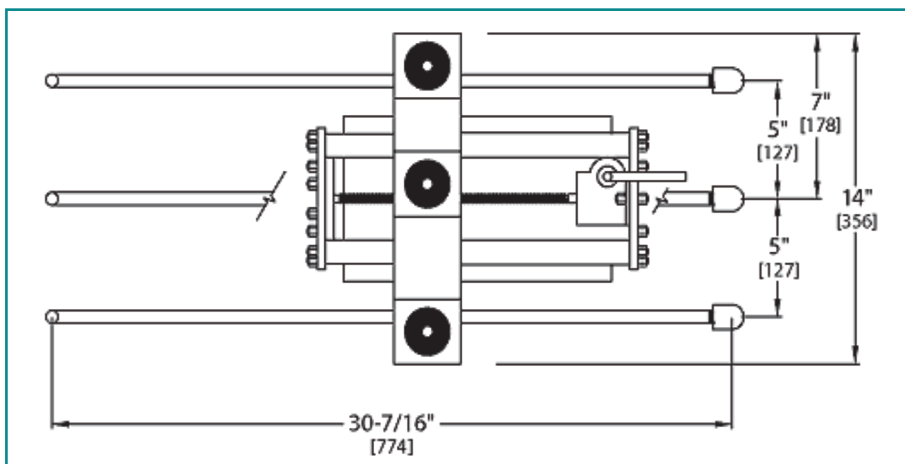
The world's leading wet-end trim nozzle manufacturer can now provide you with a complete edge trimmingsystem. Our unique machine allows the operator to make precision adjustments to the width of the sheet or

Adjusta Trim

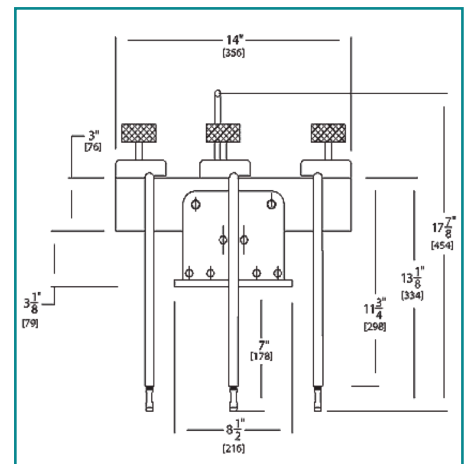


- Precise horizontal adjustment through an 8-1/4" range.
- 1/2" diameter squirt pipes accept 1/8" NPT trim nozzles directly into the outlet end.
- Easy filter screening access at the inline end.
- Rugged Machine
- Easy to install and operate
- Maximum adjustability within a compact size

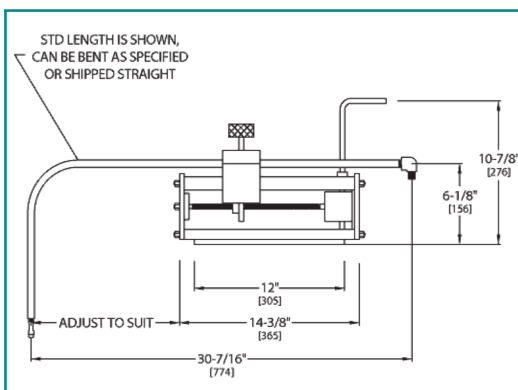
Top View



End View



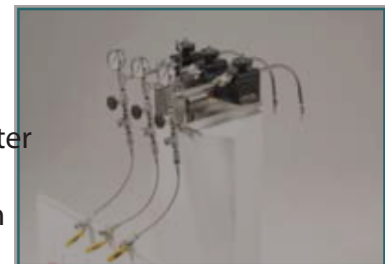
Side View



Adjusta Trim Squirt

Additional features of the "PLUS" machine include:

- Pressure gauges and needle valves allow fine tuning of water pressure at the trim nozzle.
- Micro-adjustment to precision align each nozzle cut
- Increased capacity filtering for longer protection of linear stream
- Flexible piping and on/off valves with quick



Operator Safety - Our Number One Motivation for the Design!

Adjust the trim and change nozzles from a SAFE location! All three squirts move at the same time with the easy turn of a handle. Simply loosen the clamping knob and remove the squirt tubes from the machine to make a nozzle change - then replace it to the exact same trimming location by utilizing