



THE
SPRAY NOZZLE
PEOPLE

L

Low Flow Spiral
Misting Nozzle

MISTING

DESIGN FEATURES

- ✓ A series of small spiral nozzles with orifice diameters of 1.02mm to 3.05mm
- ✓ Male connection

SPRAY CHARACTERISTICS

- ✓ Spray pattern: hollow cone fog, nearly as fine as P Series
- ✓ Spray angles: 90° standard (120° available by special order)
- ✓ Flow rates: 0.534 to 14.7 l/min



The L series is the low flow rate variant of the spiral nozzle. It produces an initial hollow cone spray pattern that quickly turns into a fog pattern at a small distance from the nozzle. It is used in a number of applications, including:

Dust Control
Evaporative Cooling
Humidification
Gas Conditioning
Gas Quench
And more.

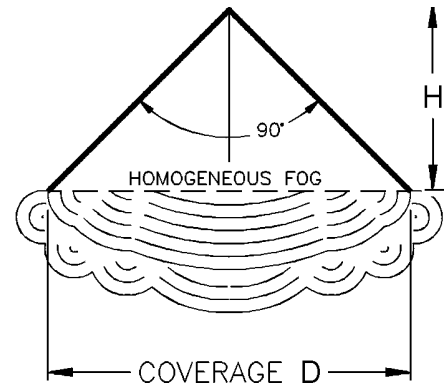
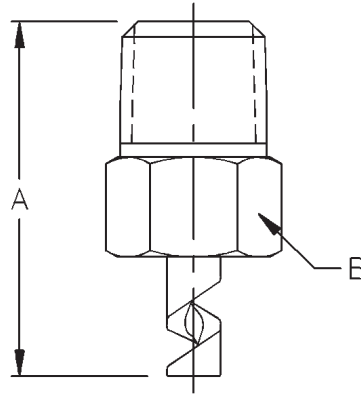
CALL NOW : +44 (0) 1273 400092

www.spray-nozzle.co.uk

The Go-to People for spray nozzle solutions



Hollow Cone 90°



L Flow Rates

Hollow Cone, 90° Spray Angle, 1/8" and 1/4" Pipe Sizes, BSP or NPT

Male Pipe Size	Nozzle No.	K Factor	Litres per minute @ BAR								Approx. Orifice Dia. (mm)	Spray Dims (mm)	
			0.7 BAR	1 BAR	1.5 BAR	2 BAR	3 BAR	4 BAR	5 BAR	7 BAR		D	H
1/8" or 1/4"	L40	0.638	0.534	0.638	0.781	0.902	1.11	1.28	1.43	1.69	1.02	610	305
	L48	0.912	0.76	0.91	1.12	1.29	1.58	1.82	2.04	2.41	1.22	690	345
	L54	1.21	1.01	1.21	1.48	1.71	2.09	2.42	2.70	3.20	1.37	760	380
	L66	1.71	1.43	1.71	2.09	2.42	2.96	3.42	3.82	4.52	1.68	910	455
	L80	2.46	2.06	2.46	3.01	3.48	4.26	4.92	5.5	6.51	2.03	1200	600
	L120	5.54	4.63	5.54	6.78	7.83	9.59	11.1	12.4	14.7	3.05	1500	750

L Dimensions

BSP or NPT

Male Pipe Size	Dimensions (mm)		Wt. (g) Metal
	A	B	
1/8"	28.4	14.3	17
1/4"	33.3	14.3	21